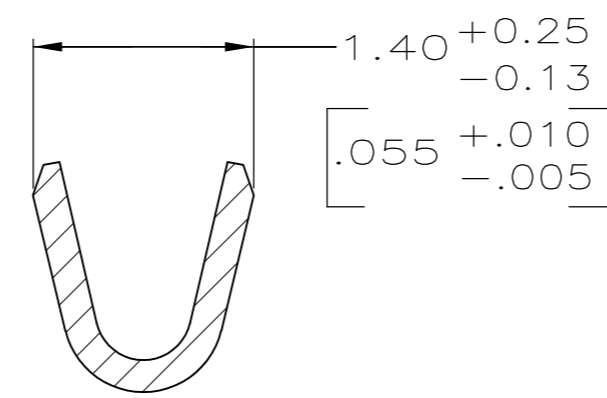
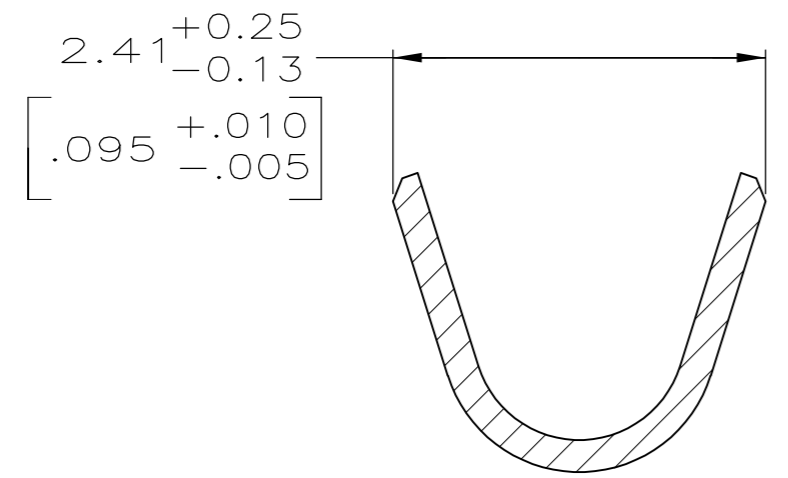
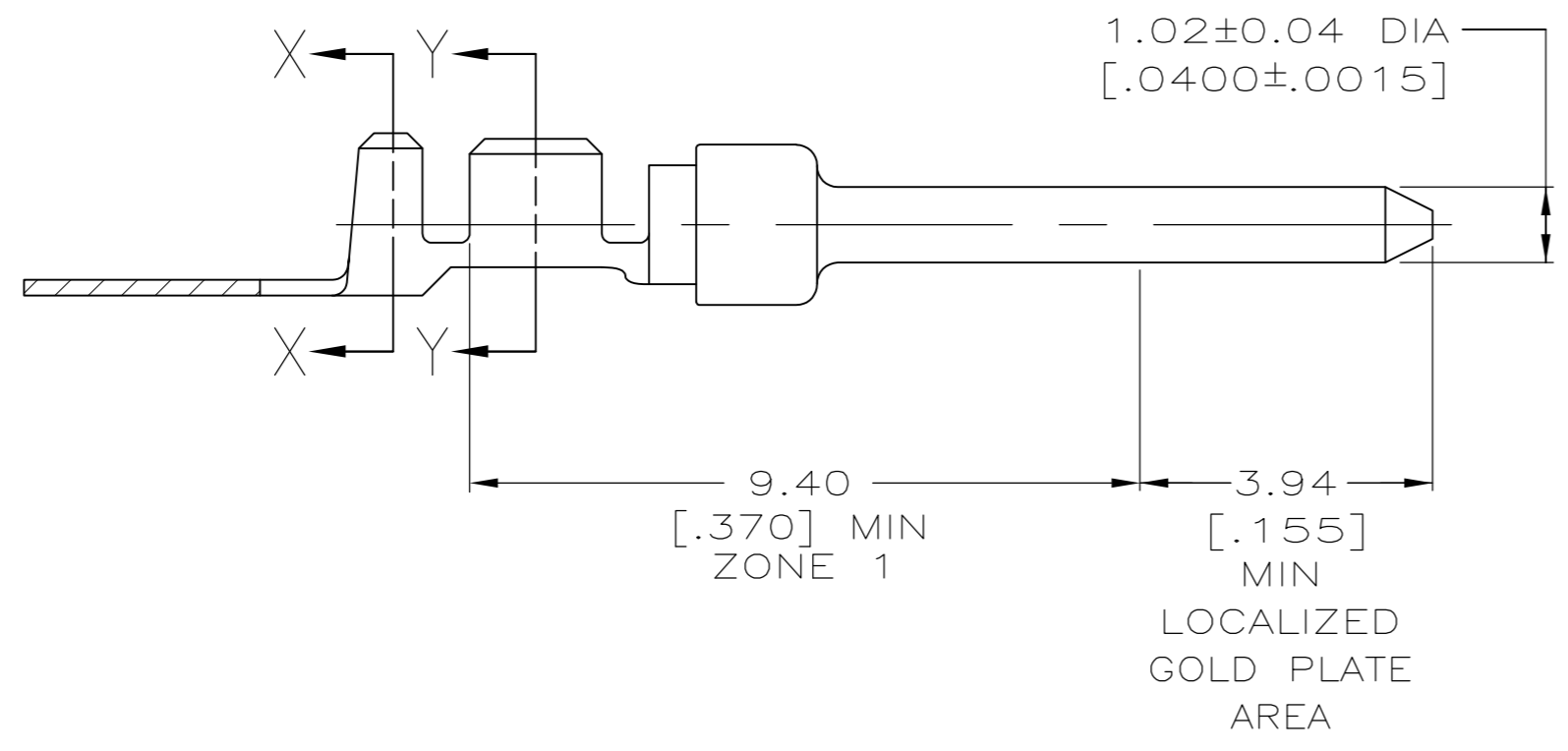
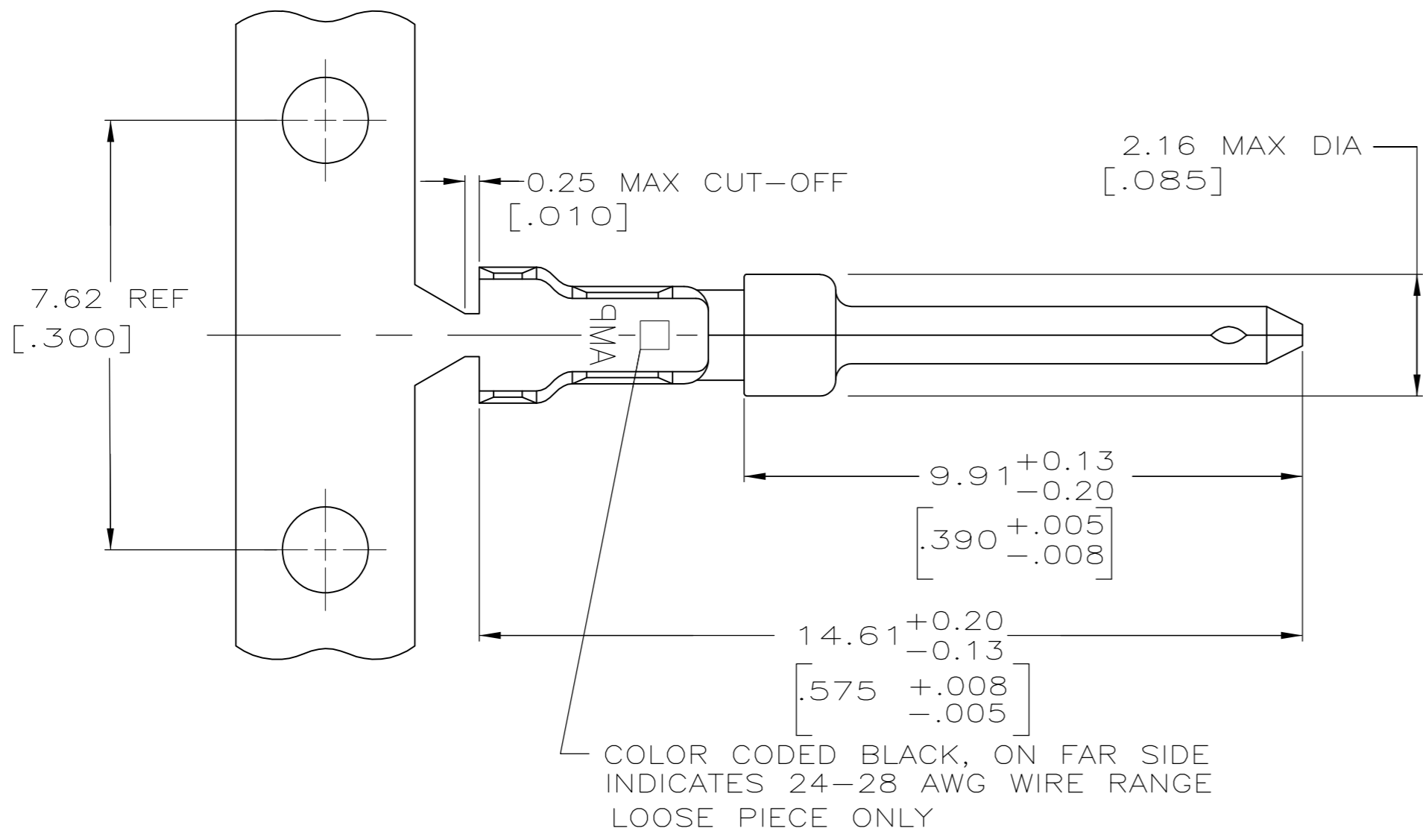


THIS DRAWING IS UNPUBLISHED. RELEASED FOR PUBLICATION
 © COPYRIGHT - By - ALL RIGHTS RESERVED.

| LOC | | DIST | | REVISIONS | | | |
|-----|-----|-------------|---------------------------|-----------|-----|------|--|
| P | LTR | DESCRIPTION | | DATE | DWN | APVD | |
| GP | 00 | L | REVISED PER ECO-12-021696 | 28FEB2013 | CJV | CWR | |



- 1 FOR MINI-APPLICATOR.
- 2 FOR HAND TOOL USE ONLY.
- 3. WIRE RANGE OF 24-28 AWG, INSULATION RANGE OF 1.27-1.52 [.050-.060].
- 4. GOLD PLATING MAY NOT APPEAR ON CARRIER STRIP.
- 4 GOLD PLATING PER MIL-G-45204. NICKEL PLATING PER QQ-N-290. TIN PLATING PER MIL-T-10727. NICKEL UNDERPLATE COVERS ENTIRE CONTACT.
- 5 GOLD PLATED IN LOCALIZED GOLD PLATE AREA AS FOLLOWS:
- 6 0.76µm [.000030] MIN GOLD IN MATED AREA, GOLD FLASH ON REMAINDER OF LOCALIZED GOLD PLATE AREA AND ZONE 1 OF CONTACT, ALL OVER 1.27µm [.000050] MIN NICKEL UNDERPLATE.
OR
GOLD FLASH OVER PALLADIUM-NICKEL PLATE, 0.76µm [.000030] MIN TOTAL IN MATED AREA, GOLD FLASH ON REMAINDER OF LOCALIZED GOLD PLATE AREA AND ZONE 1 OF CONTACT, ALL OVER 1.27µm [.000050] MIN NICKEL UNDERPLATE.
- 7 GOLD PLATED IN LOCALIZED GOLD PLATED AREA, GOLD FLASH IN MATED AREA, TIN PLATED WIRE BARRELS, OVER 0.76µm [.000030] NICKEL.
- 8 GOLD PLATED IN LOCALIZED GOLD PLATED AREA, 0.76µm [.000030] GOLD IN MATED AREA, TIN PLATED WIRE BARRELS OVER 1.27µm [.000050] NICKEL.
- 9 OBSOLETE.

| | | |
|----------|---------------|---------------|
| 8 | 91-66682-1 | 9 66682-9 |
| 7 | - | 9 66682-6 |
| 6 | 66682-4 | 66682-2 |
| FINISH 5 | LOOSE PIECE 2 | PART NUMBER 1 |

| | | | | |
|------------------------------------------------------------------------------------------|------------------|-----------------------|-----------------------------------------------|---------------|
| THIS DRAWING IS A CONTROLLED DOCUMENT. DIMENSIONING AND TOLERANCING PER ASME Y14.5M-2009 | | DWN S. WELDON 9-9-86 | STE TE Connectivity | |
| DIMENSIONS: mm [INCHES] | | CHK C. RICHARD 9-9-86 | | |
| TOLERANCES UNLESS OTHERWISE SPECIFIED: | | APVD V. KUMAR 9-10-86 | NAME | |
| 0 PLC ± - | 1 PLC ± - | PRODUCT SPEC | PIN CONTACT, SIZE 20 DF, 24-28 AWG, AMPLIMITE | |
| 2 PLC ± 0.13 [.005] | 3 PLC ± - | APPLICATION SPEC | SIZE | CAGE CODE |
| 4 PLC ± - | ANGLES ± - | 114-10000 | A2 | 00779 |
| MATERIAL BRASS PER MIL-C-50 | FINISH SEE TABLE | WEIGHT - | DRAWING NO | RESTRICTED TO |
| | | CUSTOMER DRAWING | SCALE 10:1 | SHEET 1 OF 1 |